



## DC-直流轴流风扇 120x120x18mm

### 马达可选功能列表 (Available Functions)

1. 马达保护 (Moto protection)

AS

2. 信号输出 (Signal out put)

FG

RD

3. 调速方式 (Speed control mode)

PWM

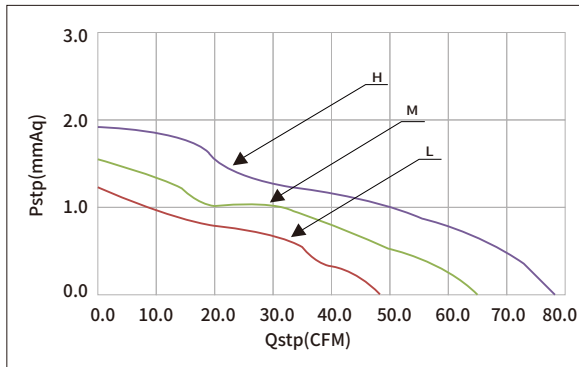
TC



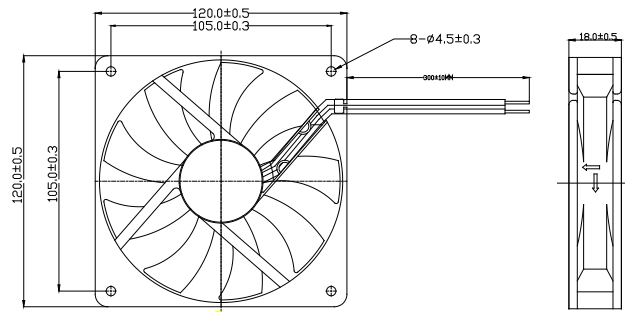
风扇单重: 85g (weight: 85g)



风扇P-Q曲线 Fan performance curve



尺寸图 DIMENSIONS DRAWING



| Model     |          | Bearing | Rated Voltage | Startup Voltage | Current | Power | Speed | Air Flow            |       | Static Pressure    |                    | Noise |
|-----------|----------|---------|---------------|-----------------|---------|-------|-------|---------------------|-------|--------------------|--------------------|-------|
| 型号        | 功能       | 轴承      | 工作电压          | 启动电压            | 电流      | 功率    | 转速    | 风量                  | 风量    | 风压                 | 风压                 | 噪音    |
| Part NO.  | Function | System  | VDC           | VDC             | A       | W     | RPM   | M <sup>3</sup> /min | CFM   | mmH <sub>2</sub> O | INH <sub>2</sub> O | dBA   |
| HDS1212HD | -A       | Sleeve  | 12            | 5.0             | 0.40    | 48.0  | 2500  | 2.22                | 78.50 | 1.92               | 0.08               | 34.5  |
| HDS1212MD |          |         |               | 5.0             | 0.25    | 3.00  | 2000  | 1.84                | 65.10 | 1.55               | 0.06               | 30.5  |
| HDS1212LD |          |         |               | 5.0             | 0.15    | 1.80  | 1500  | 1.36                | 48.20 | 1.23               | 0.05               | 26.9  |
| HDB1212HD | -A       | Ball    |               | 5.0             | 0.40    | 48.0  | 2500  | 2.22                | 78.50 | 1.92               | 0.08               | 34.5  |
| HDB1212MD |          |         |               | 5.0             | 0.25    | 3.00  | 2000  | 1.84                | 65.10 | 1.55               | 0.06               | 30.5  |
| HDB1212LD |          |         |               | 5.0             | 0.15    | 1.80  | 1500  | 1.36                | 48.20 | 1.23               | 0.05               | 26.9  |
| HDS1224HD |          | Sleeve  | 24            | 12.0            | 0.20    | 4.80  | 2500  | 2.22                | 78.50 | 1.92               | 0.08               | 34.5  |
| HDS1224MD |          |         |               | 12.0            | 0.13    | 3.12  | 2000  | 1.84                | 65.10 | 1.55               | 0.06               | 30.5  |
| HDS1224LD |          |         |               | 12.0            | 0.08    | 1.92  | 1500  | 1.36                | 48.20 | 1.23               | 0.05               | 26.9  |
| HDB1224HD |          | Ball    |               | 12.0            | 0.20    | 4.80  | 2500  | 2.22                | 78.50 | 1.92               | 0.08               | 34.5  |
| HDB1224MD |          |         |               | 12.0            | 0.13    | 3.12  | 2000  | 1.84                | 65.10 | 1.55               | 0.06               | 30.5  |
| HDB1224LD |          |         |               | 12.0            | 0.08    | 1.92  | 1500  | 1.36                | 48.20 | 1.23               | 0.05               | 26.9  |