



DC-直流轴流风扇 120x120x25mm-3(HF)

马达可选功能列表 (Available Functions)

1. 马达保护 (Moto protection)

AS

2. 信号输出 (Signal out put)

FG

RD

3. 调速方式 (Speed control mode)

PWM

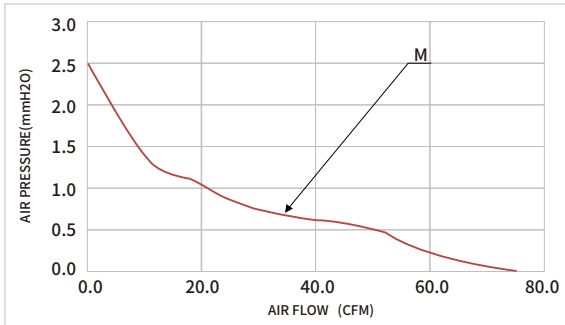
TC



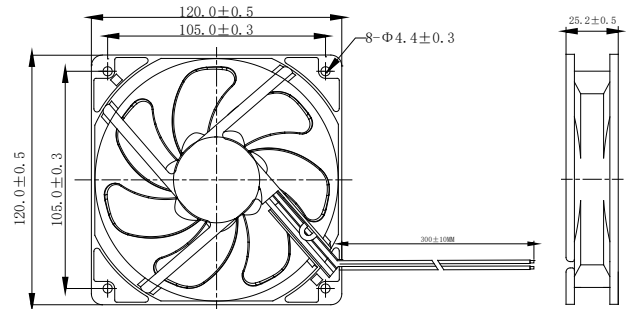
风扇单重: 130g (weight: 130g)



风扇P-Q曲线 / Fan performance curve



尺寸图 / DIMENSIONS DRAWING



| Model | | Bearing | Rated Voltage | Startup Voltage | Current | Power | Speed | Air Flow | | Static Pressure | | Noise |
|-------------|----------|-----------|---------------|-----------------|---------|-------|-------|---------------------|-------|--------------------|--------------------|-------|
| 型号 | 功能 | 轴承 | 工作电压 | 启动电压 | 电流 | 功率 | 转速 | 风量 | 风量 | 风压 | 风压 | 噪音 |
| Part NO. | Function | System | VDC | VDC | A | W | RPM | M ³ /min | CFM | mmH ₂ O | INH ₂ O | dBA |
| HDH1212MA-3 | | Hydraulic | 12 | 5.0 | 0.24 | 2.88 | 2100 | 2.15 | 75.95 | 2.48 | 0.10 | 32.0 |
| HDB1212MA-3 | | Ball | | 5.0 | 0.24 | 2.88 | 2100 | 2.15 | 75.95 | 2.48 | 0.10 | 32.0 |