



DC-直流轴流风扇 60x60x15mm-2

马达可选功能列表 (Available Functions)

1. 马达保护 (Moto protection)

AS

2. 信号输出 (Signal out put)

FG

RD

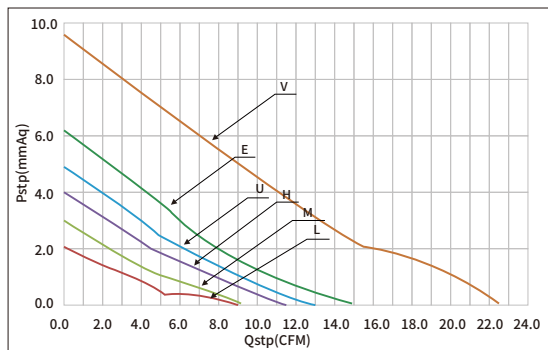
3. 调速方式 (Speed control mode)

PWM

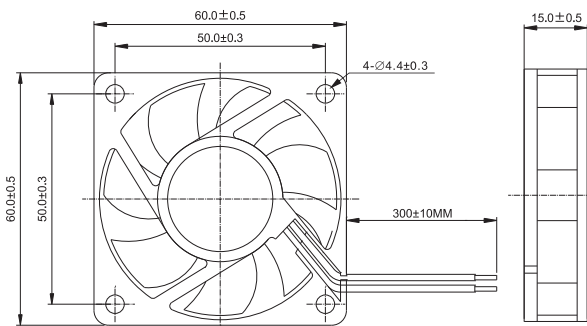


风扇单重: 41g (weight: 41g)

风扇P-Q曲线 / Fan performance curve



尺寸图 / DIMENSIONS DRAWING



| Model | Bearing | Rated Voltage | Startup Voltage | Current | Power | Speed | Air Flow | Static Pressure | Noise | | | | |
|-------------|----------|---------------|-----------------|---------|-------|-------|----------|---------------------|-------|--------------------|--------------------|------|------|
| 型号 | 轴承 | 工作电压 | 启动电压 | 电流 | 功率 | 转速 | 风量 | 风压 | 噪音 | | | | |
| Part NO. | Function | System | VDC | VDC | A | W | RPM | M ³ /min | CFM | mmH ₂ O | INH ₂ O | dBA | |
| HDS0605HD-2 | Sleeve | 5 | 4.0 | 4.0 | 0.23 | 1.15 | 4200 | 0.33 | 11.55 | 3.98 | 0.16 | 27.1 | |
| HDS0605MD-2 | | | | 4.0 | 0.20 | 1.00 | 3500 | 0.26 | 9.22 | 3.02 | 0.12 | 24.4 | |
| HDS0605LD-2 | | | | 4.0 | 0.15 | 0.75 | 3000 | 0.25 | 8.99 | 2.04 | 0.08 | 23.8 | |
| HDB0605HD-2 | | | | Ball | 4.0 | 0.23 | 1.15 | 4200 | 0.33 | 11.55 | 3.98 | 0.16 | 27.1 |
| HDB0605MD-2 | | | | | 4.0 | 0.20 | 1.00 | 3500 | 0.26 | 9.22 | 3.02 | 0.12 | 24.4 |
| HDB0605LD-2 | | | | | 4.0 | 0.15 | 0.75 | 3000 | 0.25 | 8.99 | 2.04 | 0.08 | 23.8 |
| HDS0612UD-2 | Sleeve | 12 | 7.0 | 7.0 | 0.12 | 1.44 | 5000 | 0.36 | 12.89 | 4.86 | 0.19 | 32.2 | |
| HDS0612HD-2 | | | | 7.0 | 0.08 | 0.96 | 4200 | 0.33 | 11.55 | 3.98 | 0.16 | 27.1 | |
| HDS0612MD-2 | | | | 7.0 | 0.07 | 0.84 | 3500 | 0.26 | 9.22 | 3.02 | 0.12 | 24.4 | |
| HDS0612LD-2 | | | | 7.0 | 0.06 | 0.72 | 3000 | 0.25 | 8.99 | 2.04 | 0.08 | 23.8 | |
| HDB0612VD-2 | | | | Ball | 7.0 | 0.22 | 2.64 | 7200 | 0.64 | 22.51 | 9.58 | 0.38 | 46.9 |
| HDB0612ED-2 | | | | | 7.0 | 0.16 | 1.92 | 6000 | 0.42 | 15.01 | 6.15 | 0.24 | 36.1 |
| HDB0612UD-2 | 7.0 | 0.12 | 1.44 | | 5000 | 0.36 | 12.89 | 4.86 | 0.19 | 32.2 | | | |
| HDB0612HD-2 | Sleeve | 24 | 12.0 | 7.0 | 0.08 | 0.96 | 4200 | 0.33 | 11.55 | 3.98 | 0.16 | 27.1 | |
| HDB0612MD-2 | | | | 7.0 | 0.07 | 0.84 | 3500 | 0.26 | 9.22 | 3.02 | 0.12 | 24.4 | |
| HDB0612LD-2 | | | | 7.0 | 0.06 | 0.72 | 3000 | 0.25 | 8.99 | 2.04 | 0.08 | 23.8 | |
| HDB0612VD-2 | | | | Ball | 7.0 | 0.22 | 2.64 | 7200 | 0.64 | 22.51 | 9.58 | 0.38 | 46.9 |
| HDB0612ED-2 | | | | | 7.0 | 0.16 | 1.92 | 6000 | 0.42 | 15.01 | 6.15 | 0.24 | 36.1 |
| HDB0612UD-2 | | | | | 7.0 | 0.12 | 1.44 | 5000 | 0.36 | 12.89 | 4.86 | 0.19 | 32.2 |
| HDS0624UD-2 | Sleeve | 24 | 12.0 | 12.0 | 0.20 | 4.80 | 5000 | 0.36 | 12.89 | 4.86 | 0.19 | 32.2 | |
| HDS0624HD-2 | | | | 12.0 | 0.10 | 2.40 | 4200 | 0.33 | 11.55 | 3.98 | 0.16 | 27.1 | |
| HDS0624MD-2 | | | | 12.0 | 0.08 | 1.92 | 3500 | 0.26 | 9.22 | 3.02 | 0.12 | 24.4 | |
| HDS0624LD-2 | | | | 12.0 | 0.05 | 1.20 | 3000 | 0.25 | 8.99 | 2.04 | 0.08 | 23.8 | |
| HDB0624UD-2 | | | | Ball | 12.0 | 0.20 | 4.80 | 5000 | 0.36 | 12.89 | 4.86 | 0.19 | 32.2 |
| HDB0624HD-2 | | | | | 12.0 | 0.10 | 2.40 | 4200 | 0.33 | 11.55 | 3.98 | 0.16 | 27.1 |
| HDB0624MD-2 | 12.0 | 0.08 | 1.92 | | 3500 | 0.26 | 9.22 | 3.02 | 0.12 | 24.4 | | | |
| HDB0624LD-2 | | | 12.0 | 0.05 | 1.20 | 3000 | 0.25 | 8.99 | 2.04 | 0.08 | 23.8 | | |