



无框架-支架 80x80x10mm

马达可选功能列表 (Available Functions)

1. 马达保护 (Moto protection)

AS

2. 信号输出 (Signal out put)

FG RD

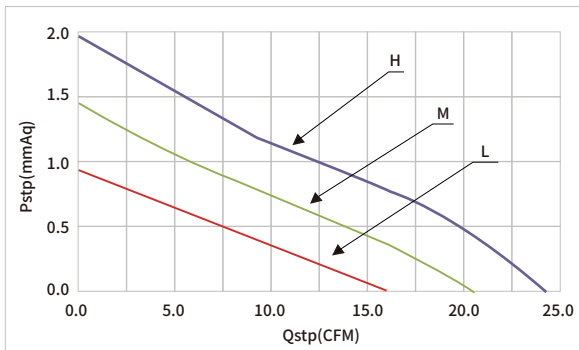
3. 调速方式 (Speed control mode)

PWM

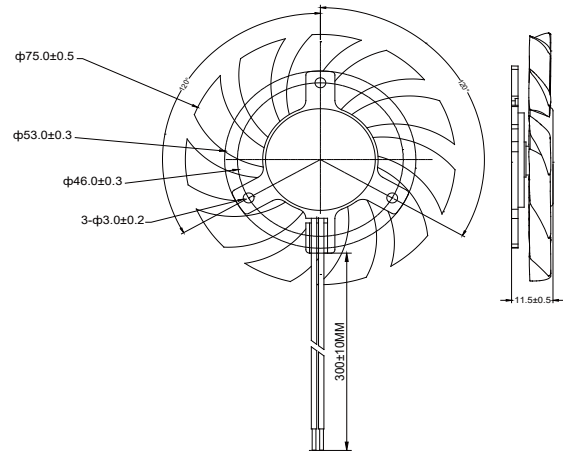


风扇单重: 20g (weight: 20g)

风扇P-Q曲线 / Fan performance curve



尺寸图 / DIMENSIONS DRAWING



| Model | | Bearing | Rated Voltage | Startup Voltage | Current | Power | Speed | Air Flow | | Static Pressure | | Noise |
|-----------|----------|--------------|---------------|-----------------|---------|-------|-------|---------------------|-------|--------------------|--------------------|-------|
| 型号 | 功能 | 轴承 | 工作电压 | 启动电压 | 电流 | 功率 | 转速 | 风量 | 风量 | 风压 | 风压 | 噪音 |
| Part NO. | Function | System | VDC | VDC | A | W | RPM | M ³ /min | CFM | mmH ₂ O | INH ₂ O | dBA |
| HYB0812HG | | Sleeve /Ball | 12 | 6.0 | 0.20 | 2.40 | 3000 | 0.69 | 24.28 | 1.97 | 0.08 | 27.4 |
| HYB0812MG | | | | 6.0 | 0.15 | 1.80 | 2500 | 0.58 | 20.49 | 1.45 | 0.06 | 23.9 |
| HYB0812LG | | | | 6.0 | 0.10 | 1.20 | 2000 | 0.46 | 16.13 | 0.93 | 0.04 | 20.4 |