



AC-交流机风扇 80x80x25mm

马达可选功能列表 (Available Functions)

1. 马达保护 (Moto protection)

AS

2. 信号输出 (Signal out put)

FG

RD

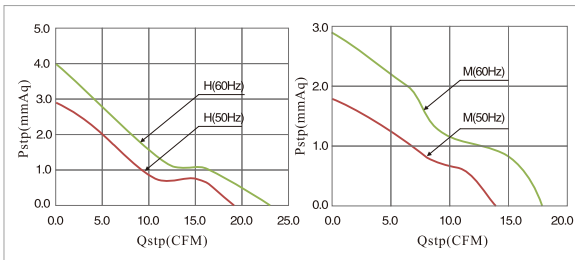
3. 调速方式 (Speed control mode)

PWM

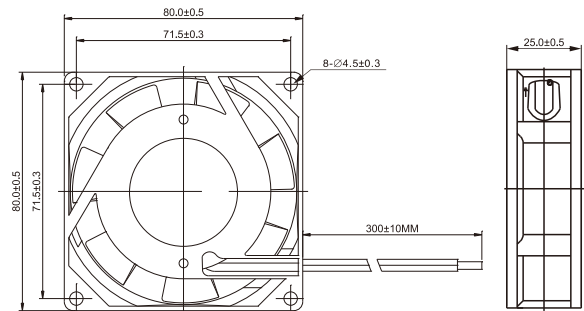


风扇单重:215g (weight:215g)

风扇P-Q曲线 / Fan performance curve



尺寸图 / DIMENSIONS DRAWING



Model		Bearing	Rated Voltage	Voltage Range	Freq.	Current	Speed	Air Flow		Static Pressure		Noise
型号		轴承	工作电压	电压范围	频率	电流	转速	风量		风压		噪音
Part NO.	Function	System	VAC	VAC	Hz	A	RPM	M ³ /min	CFM	mmH ₂ O	INH ₂ O	dBA
HAS08110HA	W/T	Sleeve	110	100-125	50/60	0.11/0.10	2300/2700	0.54/0.65	19/23	2.9/4.0	0.11/0.16	36/38
HAS08110MA	W/T			100-125	50/60	0.13/0.12	1700/2200	0.40/0.51	14/18	1.8/2.9	0.07/0.11	30/35
HAB08110HA	W/T	Ball		100-125	50/60	0.11/0.10	2300/2700	0.54/0.65	19/23	2.9/4.0	0.11/0.16	36/38
HAB08110MA	W/T			100-125	50/60	0.13/0.12	1700/2200	0.40/0.51	14/18	1.8/2.9	0.07/0.11	30/35
HAS08220HA	W/T	Sleeve	220	200-240	50/60	0.06/0.05	2300/2700	0.54/0.65	19/23	2.9/4.0	0.11/0.16	36/38
HAS08220MA	W/T			200-240	50/60	0.07/0.06	1700/2200	0.40/0.51	14/18	1.8/2.9	0.07/0.11	30/35
HAB08220HA	W/T	Ball		200-240	50/60	0.06/0.05	2300/2700	0.54/0.65	19/23	2.9/4.0	0.11/0.16	36/38
HAB08220MA	W/T			200-240	50/60	0.07/0.06	1700/2200	0.40/0.51	14/18	1.8/2.9	0.07/0.11	30/35