



DC-直流轴流风扇 70x70x20mm

马达可选功能列表 (Available Functions)

1. 马达保护 (Moto protection)

AS

2. 信号输出 (Signal out put)

FG

RD

3. 调速方式 (Speed control mode)

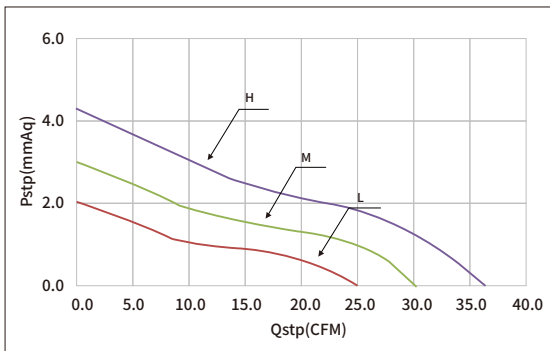
PWM



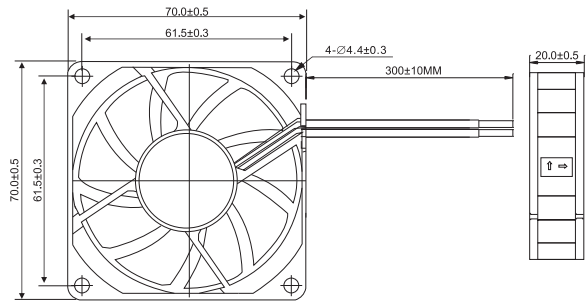
风扇单重: 54g (weight: 54g)



风扇P-Q曲线 / Fan performance curve



尺寸图 / DIMENSIONS DRAWING



Model	Bearing	Rated Voltage	Startup Voltage	Current	Power	Speed	Air Flow	Static Pressure	Noise			
型号	轴承	工作电压	启动电压	电流	功率	转速	风量	风压	噪音			
Part NO.	Function	System	VDC	VDC	A	W	RPM	M ³ /min	CFM	mmH ₂ O	INH ₂ O	dBA
HDS0712HC	Sleeve	12	VDC	9.5	0.18	2.16	3800	1.03	36.42	4.31	0.17	35.6
HDS0712MC				9.5	0.11	1.32	3200	0.85	30.16	3.01	0.12	31.0
HDS0712LC				9.5	0.06	0.72	2600	0.71	25.08	2.03	0.08	26.0
HDB0712HC	Ball			9.5	0.18	2.16	3800	1.03	36.42	4.31	0.17	35.6
HDB0712MC				9.5	0.11	1.32	3200	0.85	30.16	3.01	0.12	31.0
HDB0712LC				9.5	0.06	0.72	2600	0.71	25.08	2.03	0.08	26.0
HDS0724HC	Sleeve	24	VDC	9.5	0.16	3.84	3800	1.03	36.42	4.31	0.17	35.6
HDS0724MC				9.5	0.12	2.88	3200	0.85	30.16	3.01	0.12	31.0
HDS0724LC				9.5	0.10	2.40	2600	0.71	25.08	2.03	0.08	26.0
HDB0724HC	Ball			9.5	0.16	3.84	3800	1.03	36.42	4.31	0.17	35.6
HDB0724MC				9.5	0.12	2.88	3200	0.85	30.16	3.01	0.12	31.0
HDB0724LC				9.5	0.10	2.40	2600	0.71	25.08	2.03	0.08	26.0