



## DC-直流轴流风扇 25x25x10mm

### 马达可选功能列表 (Available Functions)

1. 马达保护 (Motor protection)

AS

2. 信号输出 (Signal output)

FG

RD

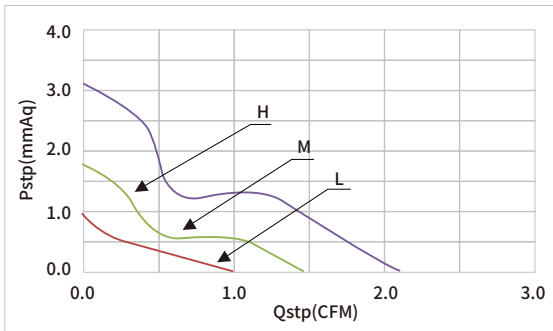
3. 调速方式 (Speed control mode)

PWM

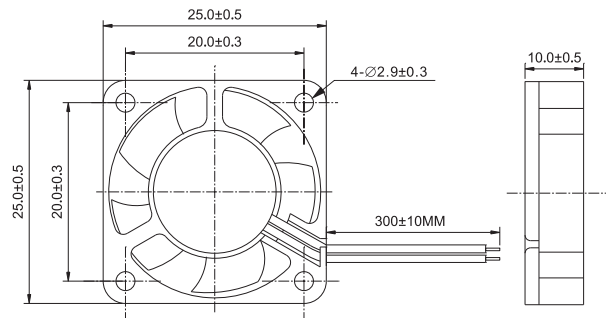


风扇单重: 6g (weight: 6g)

### 风扇P-Q曲线 / Fan performance curve



### 尺寸图 / DIMENSIONS DRAWING



Model		Bearing	Rated Voltage	Startup Voltage	Current	Power	Speed	Air Flow		Static Pressure		Noise
Part NO.	Function	System	VDC	VDC	A	W	RPM	M <sup>3</sup> /min	CFM	mmH <sub>2</sub> O	INH <sub>2</sub> O	dBA
HDS2505HG		Sleeve	5	4.0	0.18	0.90	13000	0.06	2.11	3.09	0.12	25.3
HDS2505MG				4.0	0.12	0.60	10000	0.04	1.47	1.76	0.07	19.8
HDS2505LG				4.0	0.10	0.50	7000	0.03	0.99	0.95	0.04	14.2
HDB2505HG		Ball		4.0	0.18	0.90	13000	0.06	2.11	3.09	0.12	25.3
HDB2505MG				4.0	0.12	0.60	10000	0.04	1.47	1.76	0.07	19.8
HDB2505LG				4.0	0.10	0.50	7000	0.03	0.99	0.95	0.04	14.2
HDS2512HG		Sleeve	12	7.0	0.14	1.68	13000	0.06	2.11	3.09	0.12	25.3
HDS2512MG				7.0	0.08	0.96	10000	0.04	1.47	1.76	0.07	19.8
HDS2512LG				9.0	0.06	0.72	7000	0.03	0.99	0.95	0.04	14.2
HDB2512HG		Ball		7.0	0.14	1.68	13000	0.06	2.11	3.09	0.12	25.3
HDB2512MG				7.0	0.08	0.96	10000	0.04	1.47	1.76	0.07	19.8
HDB2512LG				9.0	0.06	0.72	7000	0.03	0.99	0.95	0.04	14.2